



Con la nuova famiglia di motori iso GDI350 e GDI250, NITEK estende il range di prodotto con una nuova più prestante serie di motori lineari tubolari.

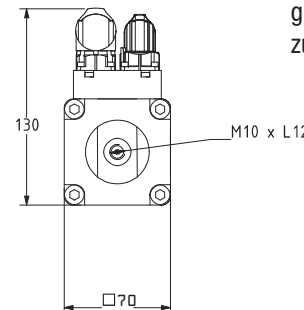
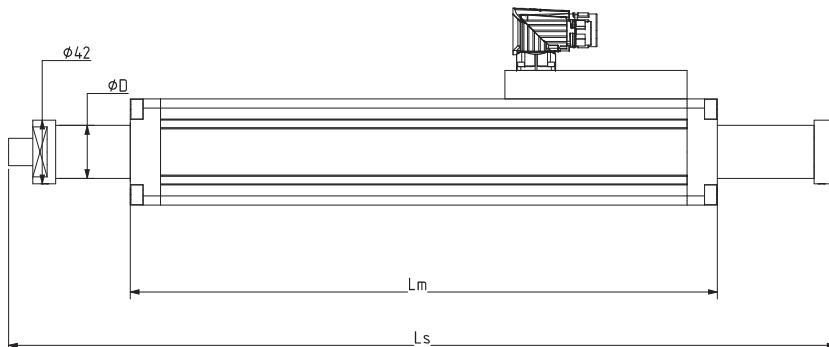
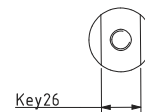
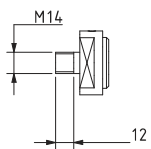
Sono disponibili 7 differenti taglie da 36 N a 250 N di forze continuative che andranno a coprire un larga area applicativa con alti carichi.

With the new iso linear motor family GDI350 and GDI250, NITEK will extend the product range with more powerful tubular linear motor.

Three different motor sizes from 36 N to 250 N of continuous force will cover a large range of application with heavy loads.

Mit den stärkeren der ISO Serie GDI350 und GDI250 erweitert NITEK die Produktpalette der linearen Direktantriebe im obersten Leistungsbereich.

Das Produktpalette bei den Motoren umfasst drei verschiedene Baugrößen mit Nominalekräften zwischen 36 N und 250 N. Die NITEK GDI350 and GDI250 linearmotoren auch für Anwendungen mit grössere Lastmassen, die mehr Leistung benötigen, zur Verfügung.



| Parameter name         |                  | Unit   | Symbol |
|------------------------|------------------|--------|--------|
| Mechanical             | Effective stroke | mm     | Es     |
|                        |                  | inches |        |
|                        | Rated Force      | N      | Fr     |
|                        |                  | lbf    |        |
|                        | Peak Force*      | N      | Fp     |
|                        |                  | lbf    |        |
| Actuator length        | mm               | Lm     |        |
|                        | inches           |        |        |
| Slider length          | mm               | Ls     |        |
|                        | inches           |        |        |
| Slider diameter        | mm               | D      |        |
|                        | inches           |        |        |
| Electrical             | Pole pitch       | mm     | 2p     |
|                        |                  | inches |        |
|                        | Phase resistance | ohm    |        |
|                        | Phase inductance | mH     |        |
|                        | Rated current    | A      |        |
| Position repeatability | mm               |        |        |
|                        | inches           |        |        |

| Parameter name         |                  | Unit   | Symbol |
|------------------------|------------------|--------|--------|
| Mechanical             | Effective stroke | mm     | Es     |
|                        |                  | inches |        |
|                        | Rated Force      | N      | Fr     |
|                        |                  | lbf    |        |
|                        | Peak Force*      | N      | Fp     |
|                        |                  | lbf    |        |
| Actuator length        | mm               | Lm     |        |
|                        | inches           |        |        |
| Slider length          | mm               | Ls     |        |
|                        | inches           |        |        |
| Slider diameter        | mm               | D      |        |
|                        | inches           |        |        |
| Electrical             | Pole pitch       | mm     | 2p     |
|                        |                  | inches |        |
|                        | Phase resistance | ohm    |        |
|                        | Phase inductance | mH     |        |
|                        | Rated current    | A      |        |
| Position repeatability | mm               |        |        |
|                        | inches           |        |        |



| Motor Code   Motor Type   Codice Motore |       |        |        |        |        |
|---|-------|--------|--------|--------|--------|
| <b>GDI250DS</b>                         |       |        |        |        |        |
| 100                                     | 200   | 300    | 400    | 500    | 600    |
| 3,937                                   | 7,874 | 11,811 | 15,748 | 19,685 | 23,622 |
| 36                                      |       |        |        |        |        |
| 8,09                                    |       |        |        |        |        |
| 144                                     |       |        |        |        |        |
| 32,37                                   |       |        |        |        |        |
| 158                                     |       |        |        |        |        |
| 6,22                                    |       |        |        |        |        |
| 289                                     | 389   | 489    | 589    | 689    | 789    |
| 11,38                                   | 15,31 | 19,25  | 23,19  | 27,13  | 31,06  |
| 25                                      |       |        |        |        |        |
| 0,98                                    |       |        |        |        |        |
| 60                                      |       |        |        |        |        |
| 2,3622                                  |       |        |        |        |        |
| 9,6                                     |       |        |        |        |        |
| 17,5                                    |       |        |        |        |        |
| 1,38                                    |       |        |        |        |        |
| 0,05                                    |       |        |        |        |        |
| 0,002                                   |       |        |        |        |        |

| Motor Code   Motor Type   Codice Motore |       |        |        |        |        |
|---|-------|--------|--------|--------|--------|
| <b>GDI250TS / GDI250QSS</b>             |       |        |        |        |        |
| 100                                     | 200   | 300    | 400    | 500    | 600    |
| 3,937                                   | 7,874 | 11,811 | 15,748 | 19,685 | 23,622 |
| 50 / 68                                 |       |        |        |        |        |
| 11,24 / 15,29                           |       |        |        |        |        |
| 200 / 272                               |       |        |        |        |        |
| 44,96 / 61,15                           |       |        |        |        |        |
| 188                                     |       |        |        |        |        |
| 7,40                                    |       |        |        |        |        |
| 318                                     | 418   | 518    | 618    | 718    | 818    |
| 12,52                                   | 16,46 | 20,39  | 24,33  | 28,27  | 32,20  |
| 25                                      |       |        |        |        |        |
| 0,98                                    |       |        |        |        |        |
| 60                                      |       |        |        |        |        |
| 2,3622                                  |       |        |        |        |        |
| 14,7 / 17,5                             |       |        |        |        |        |
| 26 / 35                                 |       |        |        |        |        |
| 1,27                                    |       |        |        |        |        |
| 0,05                                    |       |        |        |        |        |
| 0,002                                   |       |        |        |        |        |

| Motor Code   Motor Type   Codice Motore |       |        |        |        |        |
|---|-------|--------|--------|--------|--------|
| <b>GDI250XS</b>                         |       |        |        |        |        |
| 110                                     | 200   | 300    | 400    | 500    | 600    |
| 4,3307                                  | 7,874 | 11,811 | 15,748 | 19,685 | 23,622 |
| 99                                      |       |        |        |        |        |
| 22,26                                   |       |        |        |        |        |
| 396                                     |       |        |        |        |        |
| 89,0208                                 |       |        |        |        |        |
| 338                                     |       |        |        |        |        |
| 13,31                                   |       |        |        |        |        |
| 468                                     | 568   | 668    | 768    | 868    | 968    |
| 18,4                                    | 22,4  | 26,3   | 30,2   | 34,2   | 38,1   |
| 25                                      |       |        |        |        |        |
| 0,98                                    |       |        |        |        |        |
| 60                                      |       |        |        |        |        |
| 2,3622                                  |       |        |        |        |        |
| 8,5                                     |       |        |        |        |        |
| 9                                       |       |        |        |        |        |
| 1,9                                     |       |        |        |        |        |
| 0,05                                    |       |        |        |        |        |
| 0,002                                   |       |        |        |        |        |

| Simbolo<br>Symbol | Unità<br>Einheit | Parameter                | Nome Parametri                 |                       |
|-------------------|------------------|--------------------------|--------------------------------|-----------------------|
| Es                | mm               | Effektiver Hub           | Corsa effettiva                |                       |
|                   | inches           |                          |                                |                       |
| Fr                | N                | Dauer - Vorschubkraft    | Forza continuativa             |                       |
|                   | lbf              |                          |                                |                       |
| Fp                | N                | Spitzen - Vorschubkraft* | Forza di picco*                |                       |
|                   | lbf              |                          |                                |                       |
| Lm                | mm               | Gehäuselänge             | Lunghezza attuatore            |                       |
|                   | inches           |                          |                                |                       |
| Ls                | mm               | Läuferlänge              | Lunghezza albero               |                       |
|                   | inches           |                          |                                |                       |
| D                 | mm               | Läuferdurchmesser        | Diametro albero                |                       |
|                   | inches           |                          |                                |                       |
| 2p                | mm               | Polabstand               | Passo polare                   |                       |
|                   | inches           |                          |                                |                       |
|                   | ohm              | Phasenwiderstand         | Resistenza di fase/fase        |                       |
|                   | mH               | Phaseninduktivität       |                                | Induttanza fase/fase  |
|                   | A                | Stromstärke              |                                | Corrente continuativa |
|                   | mm               | Wiederholgenauigkeit     | Ripetibilità di posizionamento |                       |
|                   | inches           |                          |                                |                       |

\* Peak force (10 sec) / Spitzen - Vorschubkraft (10 sek) / Forza di picco (10 sec)

| Motor Code   Motor Type   Codice Motore |       |        |        |        |        |
|---|-------|--------|--------|--------|--------|
| <b>GDI350TS</b>                         |       |        |        |        |        |
| 110                                     | 210   | 310    | 410    | 510    | 610    |
| 4,331                                   | 8,268 | 12,205 | 16,142 | 20,079 | 24,016 |
| 89                                      |       |        |        |        |        |
| 20,01                                   |       |        |        |        |        |
| 356                                     |       |        |        |        |        |
| 80,03                                   |       |        |        |        |        |
| 208                                     |       |        |        |        |        |
| 8,19                                    |       |        |        |        |        |
| 349                                     | 449   | 549    | 649    | 749    | 849    |
| 13,74                                   | 17,68 | 21,61  | 25,55  | 29,49  | 33,43  |
| 35                                      |       |        |        |        |        |
| 1,38                                    |       |        |        |        |        |
| 60                                      |       |        |        |        |        |
| 2,3622                                  |       |        |        |        |        |
| 9,6                                     |       |        |        |        |        |
| 12,8                                    |       |        |        |        |        |
| 1,8                                     |       |        |        |        |        |
| 0,05                                    |       |        |        |        |        |
| 0,002                                   |       |        |        |        |        |

| Motor Code   Motor Type   Codice Motore |       |        |        |        |        |
|---|-------|--------|--------|--------|--------|
| <b>GDI350XS</b>                         |       |        |        |        |        |
| 80                                      | 180   | 280    | 380    | 480    | 580    |
| 3,150                                   | 7,087 | 11,024 | 14,961 | 18,898 | 22,835 |
| 190                                     |       |        |        |        |        |
| 43,61                                   |       |        |        |        |        |
| 776                                     |       |        |        |        |        |
| 174,44                                  |       |        |        |        |        |
| 358                                     |       |        |        |        |        |
| 14,09                                   |       |        |        |        |        |
| 469                                     | 569   | 669    | 769    | 869    | 969    |
| 18,46                                   | 22,40 | 26,34  | 30,28  | 34,21  | 38,15  |
| 35                                      |       |        |        |        |        |
| 1,38                                    |       |        |        |        |        |
| 60                                      |       |        |        |        |        |
| 2,3622                                  |       |        |        |        |        |
| 7                                       |       |        |        |        |        |
| 7,2                                     |       |        |        |        |        |
| 2,61                                    |       |        |        |        |        |
| 0,05                                    |       |        |        |        |        |
| 0,002                                   |       |        |        |        |        |

| Motor Code   Motor Type   Codice Motore |       |        |        |        |        |
|---|-------|--------|--------|--------|--------|
| <b>GDI350ES</b>                         |       |        |        |        |        |
| 75                                      | 175   | 275    | 375    | 475    | 575    |
| 2,953                                   | 6,890 | 10,827 | 14,764 | 18,701 | 22,638 |
| 250                                     |       |        |        |        |        |
| 56,2                                    |       |        |        |        |        |
| 1000                                    |       |        |        |        |        |
| 224,8                                   |       |        |        |        |        |
| 481                                     |       |        |        |        |        |
| 18,94                                   |       |        |        |        |        |
| 587                                     | 687   | 787    | 887    | 987    | 1087   |
| 23,11                                   | 27,05 | 30,98  | 34,92  | 38,86  | 42,80  |
| 35                                      |       |        |        |        |        |
| 1,38                                    |       |        |        |        |        |
| 60                                      |       |        |        |        |        |
| 2,3622                                  |       |        |        |        |        |
| 9,6                                     |       |        |        |        |        |
| 12,6                                    |       |        |        |        |        |
| 2,4                                     |       |        |        |        |        |
| 0,05                                    |       |        |        |        |        |
| 0,002                                   |       |        |        |        |        |

| Simbolo<br>Symbol | Unità<br>Einheit | Parameter                | Nome Parametri                 |                       |
|-------------------|------------------|--------------------------|--------------------------------|-----------------------|
| Es                | mm               | Effektiver Hub           | Corsa effettiva                |                       |
|                   | inches           |                          |                                |                       |
| Fr                | N                | Dauer - Vorschubkraft    | Forza continuativa             |                       |
|                   | lbf              |                          |                                |                       |
| Fp                | N                | Spitzen - Vorschubkraft* | Forza di picco*                |                       |
|                   | lbf              |                          |                                |                       |
| Lm                | mm               | Gehäuselänge             | Lunghezza attuatore            |                       |
|                   | inches           |                          |                                |                       |
| Ls                | mm               | Läuferlänge              | Lunghezza albero               |                       |
|                   | inches           |                          |                                |                       |
| D                 | mm               | Läuferdurchmesser        | Diametro albero                |                       |
|                   | inches           |                          |                                |                       |
| 2p                | mm               | Polabstand               | Passo polare                   |                       |
|                   | inches           |                          |                                |                       |
|                   | ohm              | Phasenwiderstand         | Resistenza di fase/fase        |                       |
|                   | mH               | Phaseninduktivität       |                                | Induttanza fase/fase  |
|                   | A                | Stromstärke              |                                | Corrente continuativa |
|                   | mm               | Wiederholgenauigkeit     | Ripetibilità di posizionamento |                       |
|                   | inches           |                          |                                |                       |